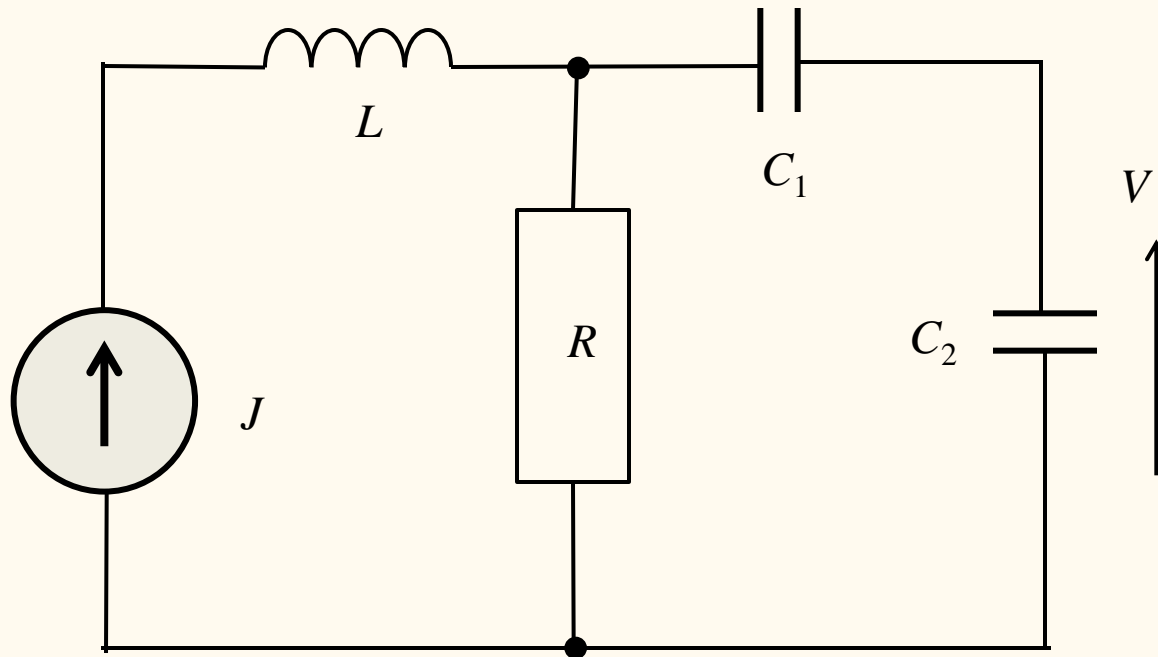


Exercise B-1

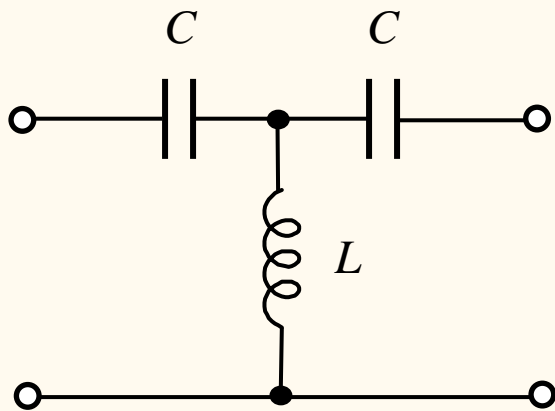
Calculate the voltage V over capacitor C_2 by using Norton theorem.



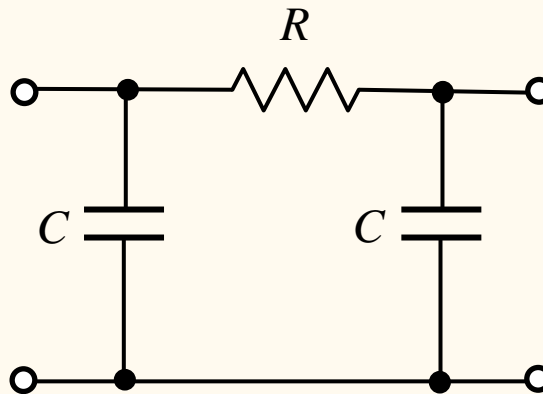
Exercise B-2

Obtain F-matrices for the circuits below.

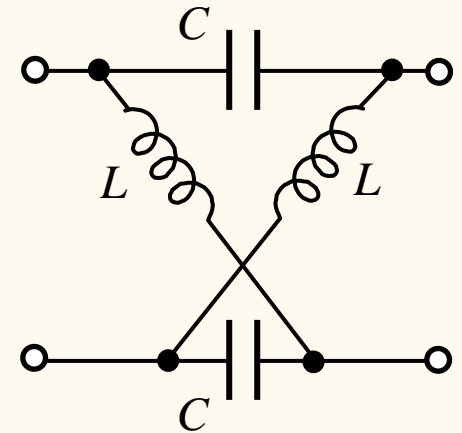
(a)



(b)



(c)



Exercise B-3

The switch below is turned on at $t = 0$.
Obtain the time evolution of voltage v henceforth.

