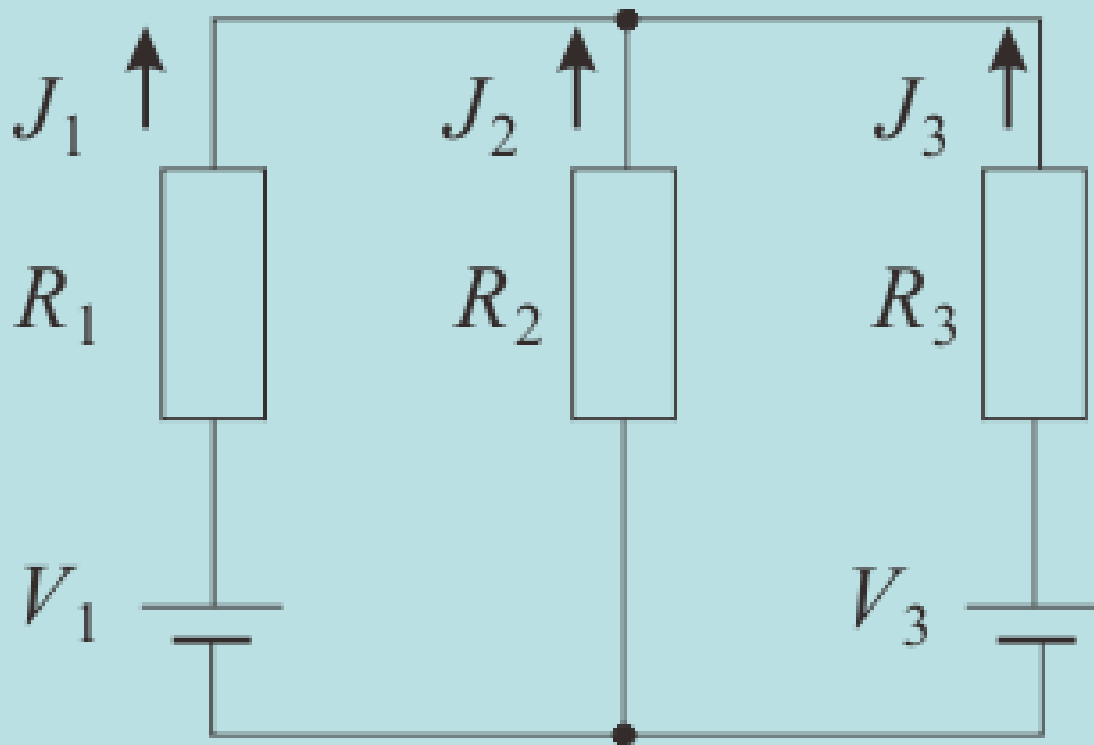


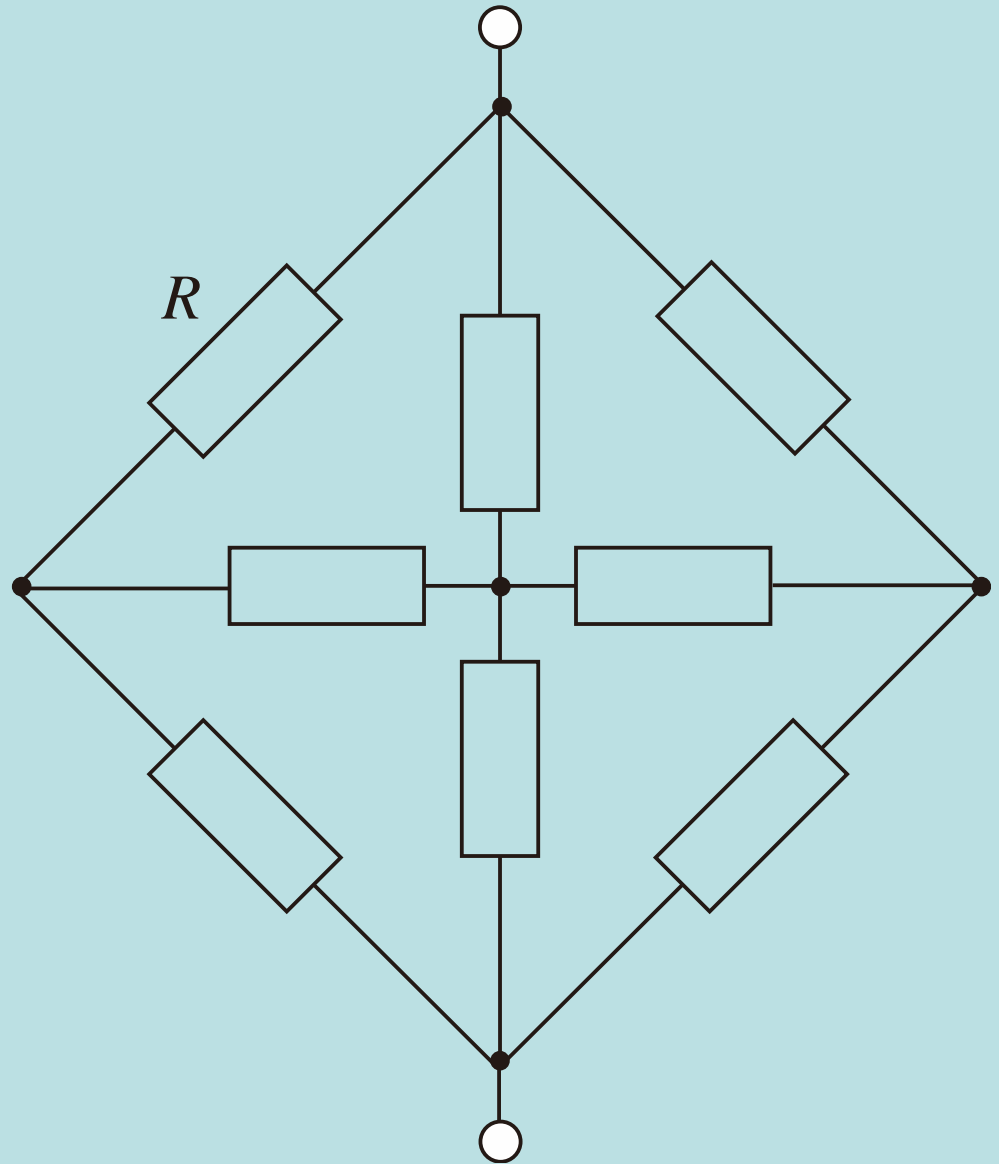
Exercise A-1

Express J_1 , J_2 , J_3 with other parameters.



Exercise A-2

All the resistors have the same resistance R . Obtain the combined resistance.



Exercise A-3

Obtain the effective value of voltage for the saw tooth wave.

