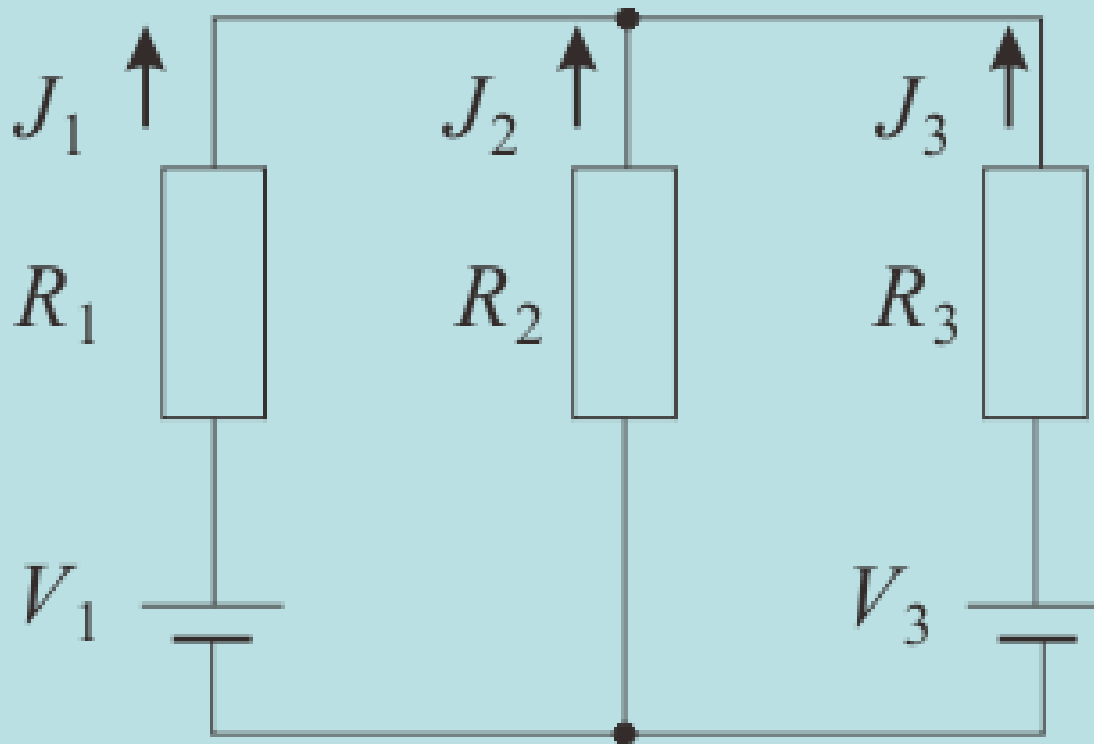


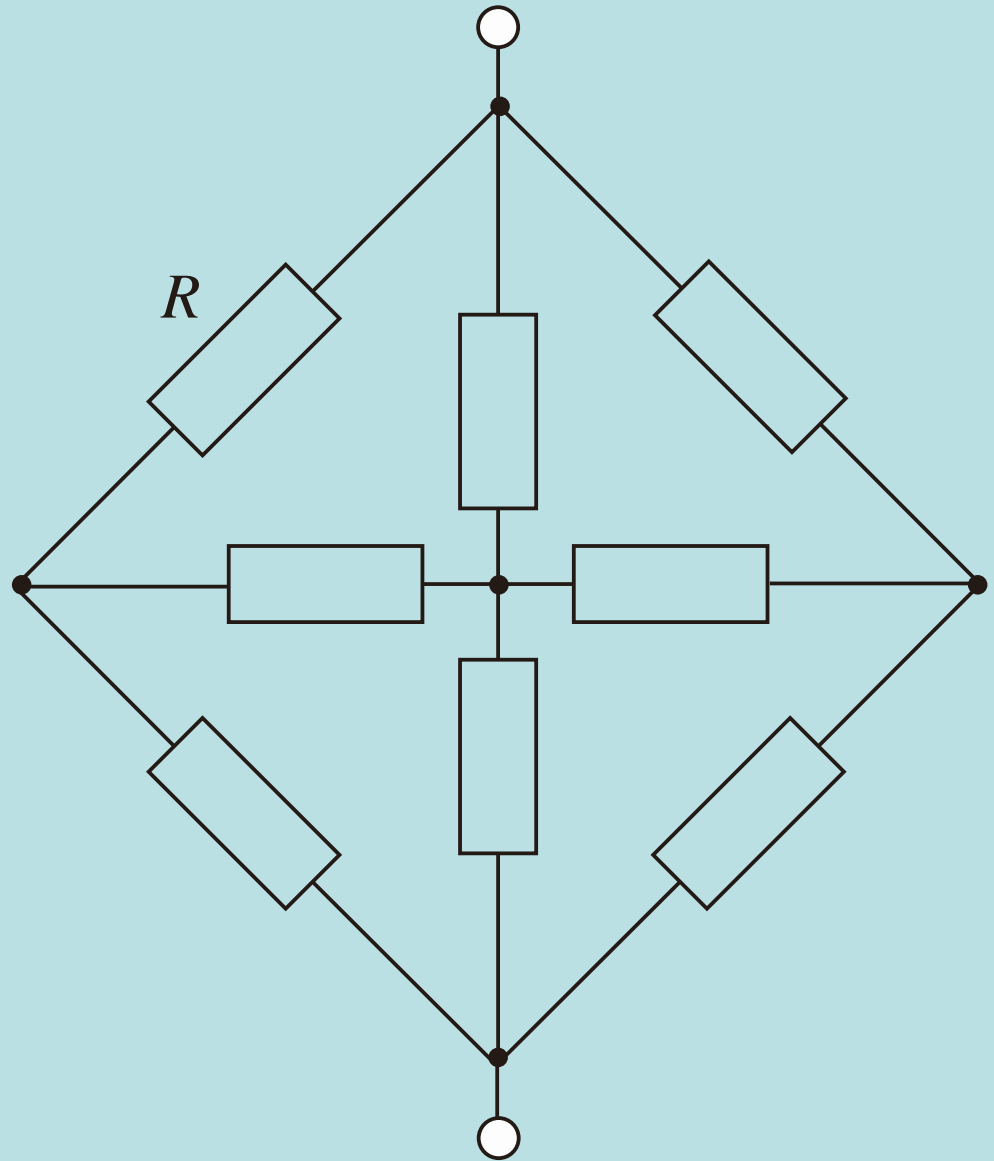
# Exercise 1-1

Express  $J_1$ ,  $J_2$ ,  $J_3$  with other parameters.



# Exercise 1-2

All the resistors have the same resistance  $R$ . Obtain the combined resistance.



## Exercise 1-3

Obtain the effective value of voltage for the saw tooth wave.

