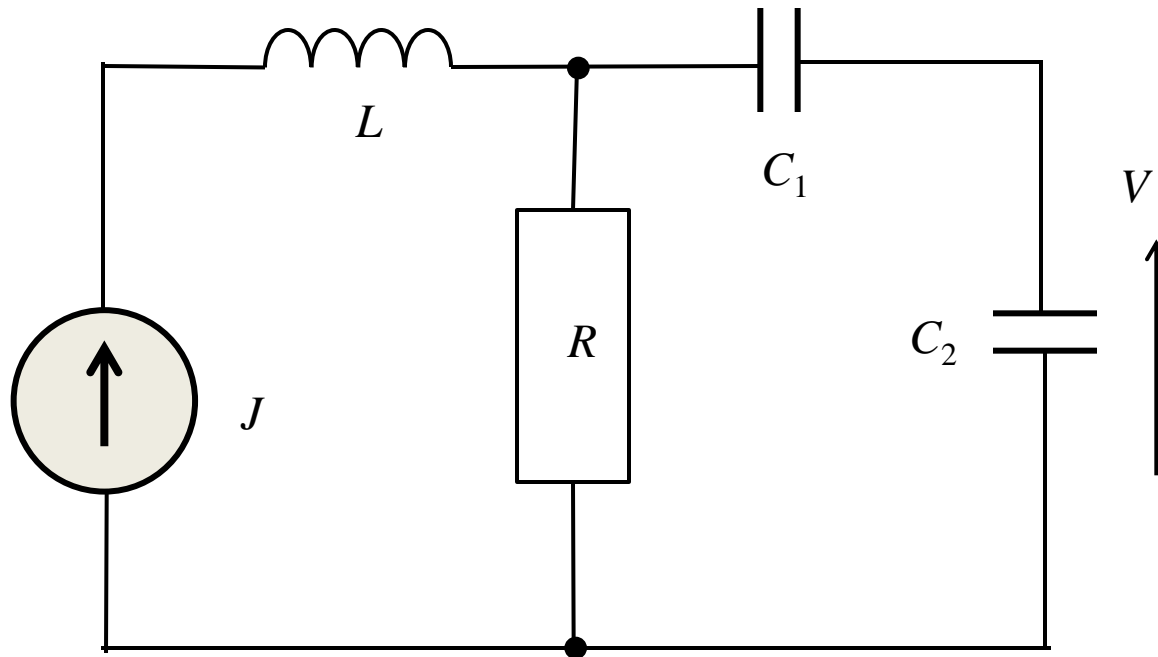


## Exercise 2-1

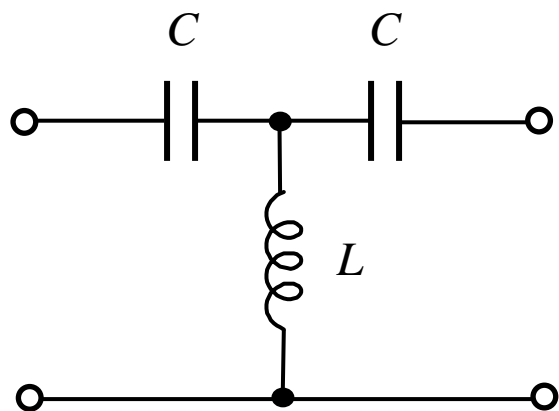
Calculate the voltage  $V$  over capacitor  $C_2$  by using Norton theorem.



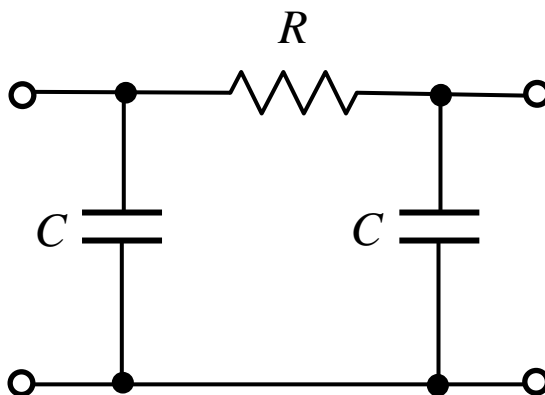
## Exercise 2-2

Obtain F-matrices for the circuits below.

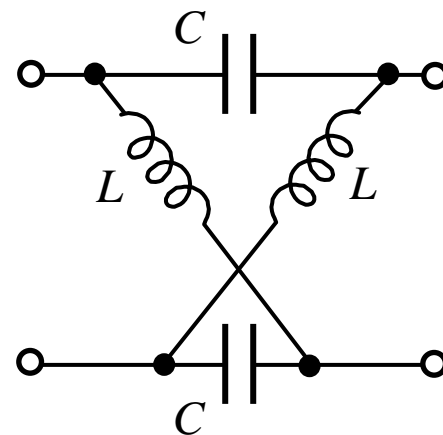
(a)



(b)



(c)



## Exercise 2-3

The switch below is turned on at  $t = 0$ .  
Obtain the time evolution of voltage  $v$  henceforth.

